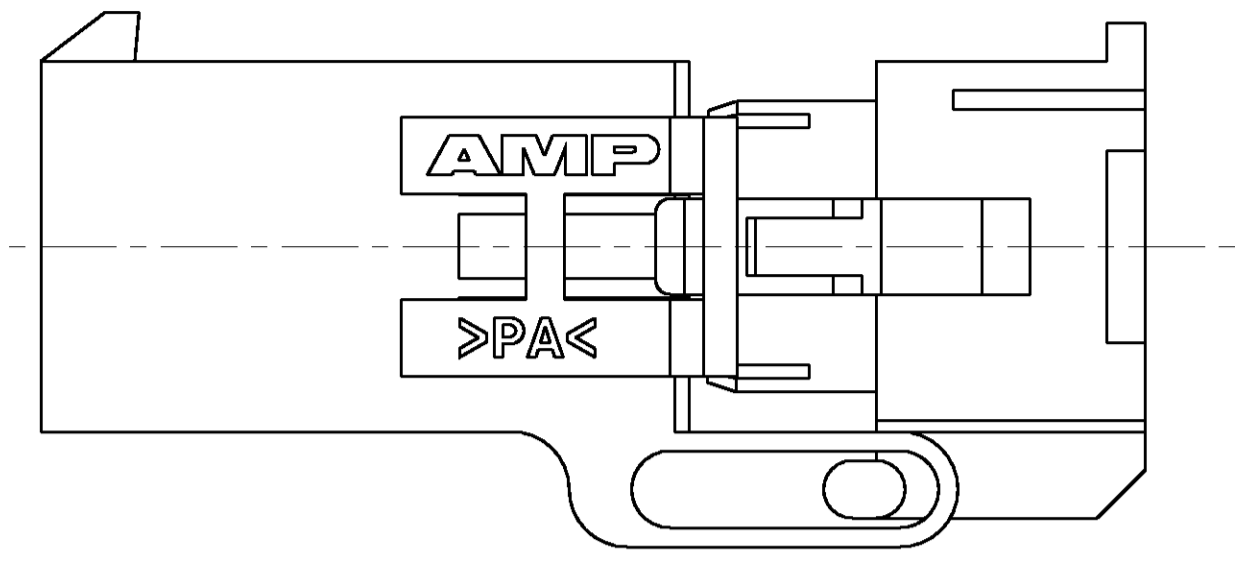
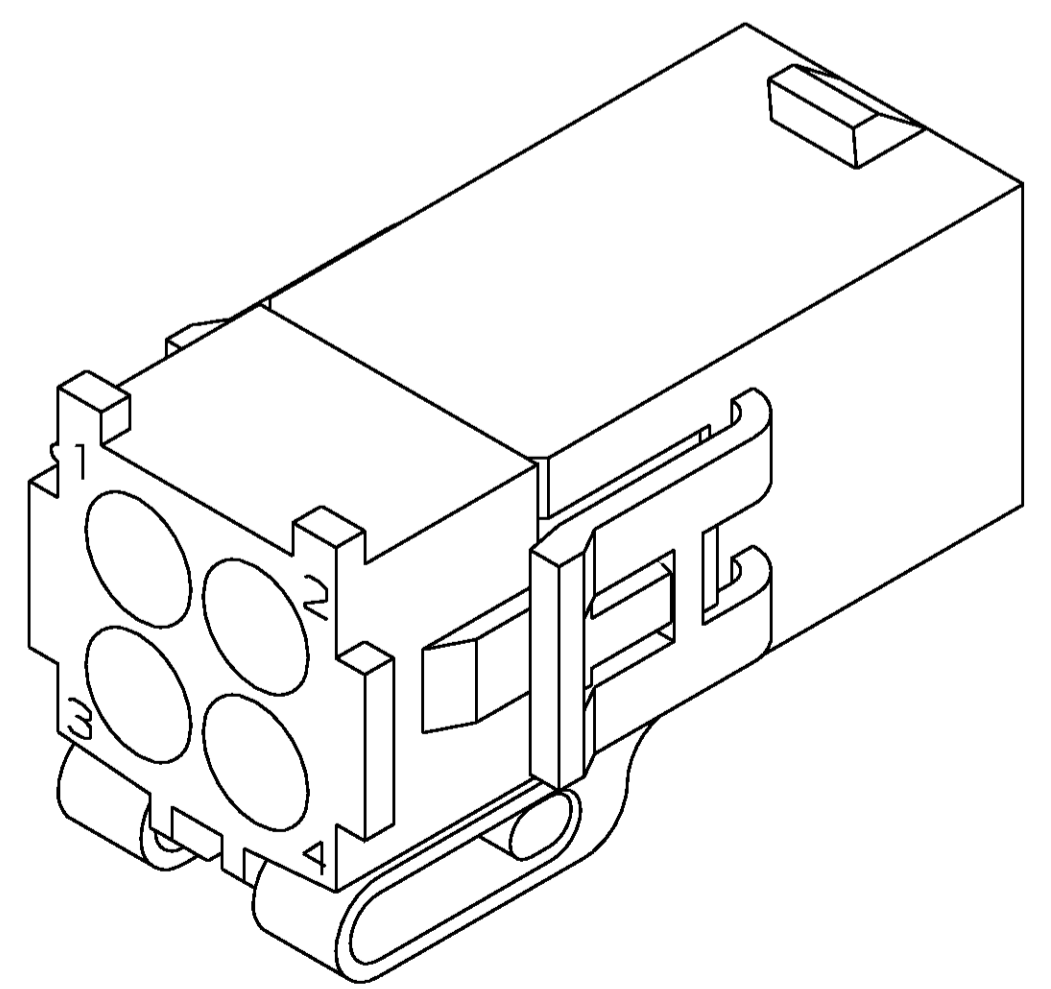
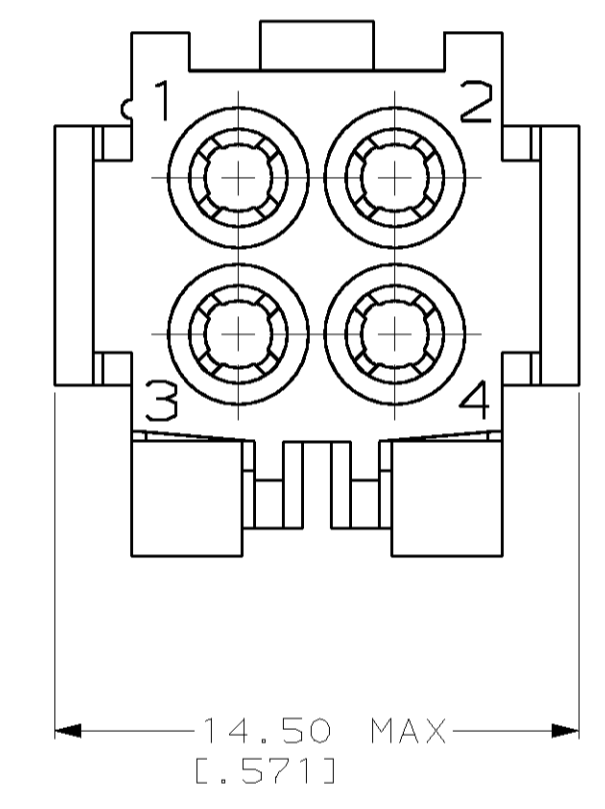
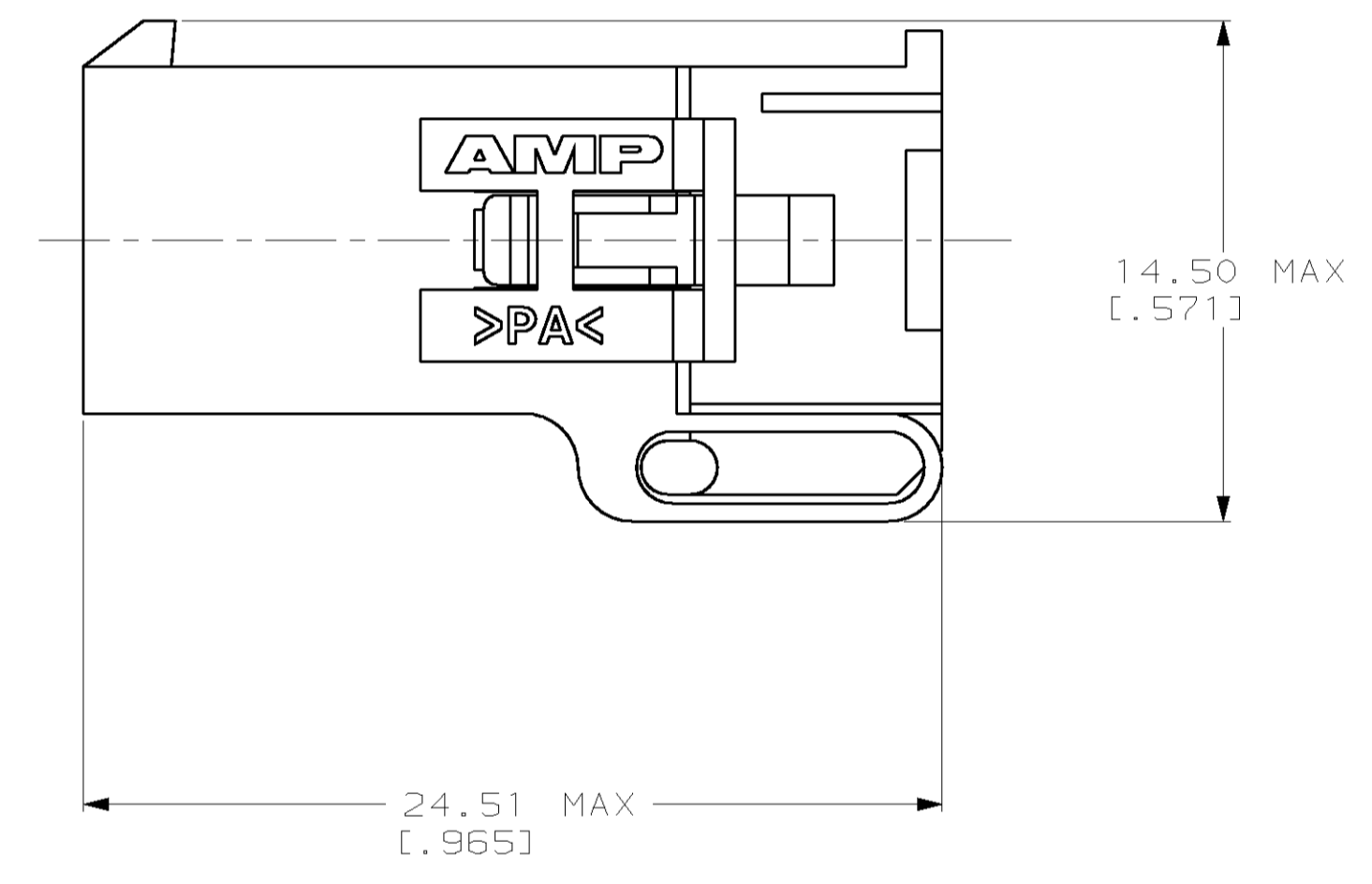
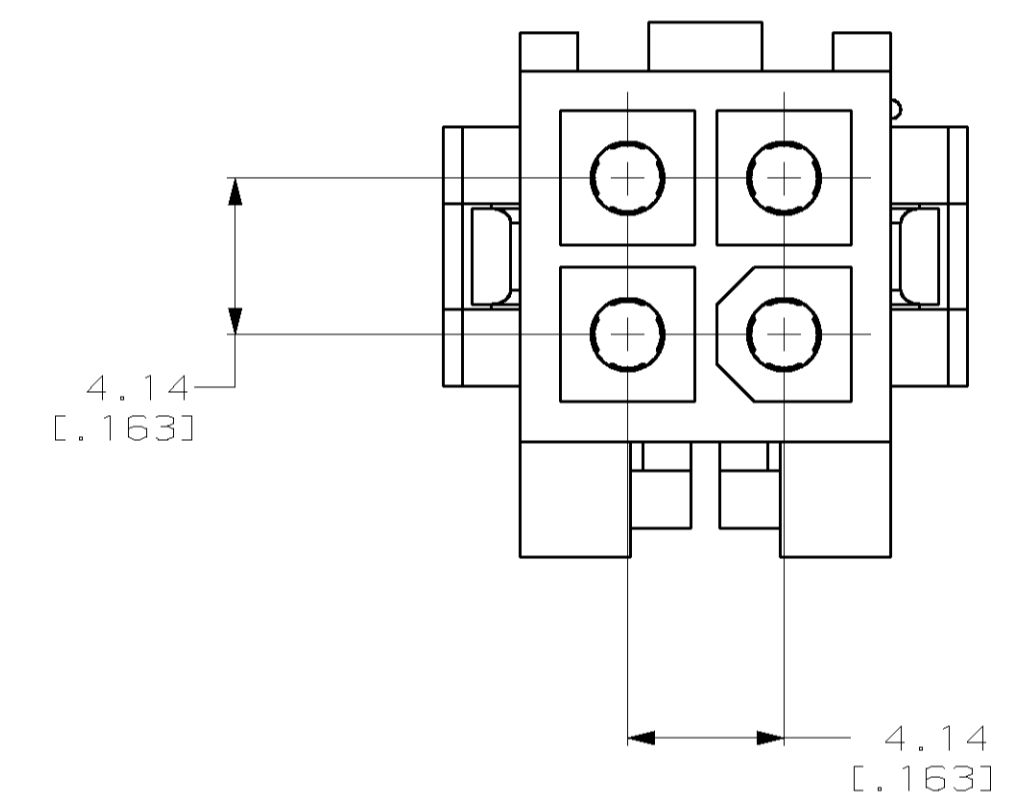


LOC		DIST		REVISIONS			
CM	53	FR	LYR	DESCRIPTION	DATE	DWN	APVD
		C		REVISED PER EC 063B-0375-03	06-JUN-03	KW	CJ



PRE-STAGED CONDITION

1. DIMENSIONS IN BRACKETS ARE IN INCHES.



3-DIMENSIONAL MODEL  
NTS

794242-1  
PART NUMBER



THIS DRAWING IS A CONTROLLED DOCUMENT.		DWN K. WHITAKER 5-12-97	AMP Incorporated Harrisburg, PA 17105-3608
		DIR R. SWING 5-12-97	
		AP'D E. ORSTAD 5-12-97	NAME CAP, 4 CIRCUIT, MINI UNIVERSAL MATE-N-LOK™ 2
DIMENSIONS:		PRODUCT SPEC	
mm	TOLERANCES UNLESS OTHERWISE SPECIFIED:	APPLICATION SPEC	
	0 PLC ±-	SIZE CAGE CODE DRAWING NO	
	1 PLC ±-	A1 00779 C-794242	
	2 PLC ±0.13 (.0051)	RESTRICTED TO	
	3 PLC ±-	CUSTOMER DRAWING	
	4 PLC ±-	SCALE 5:1 SHEET 1 OF 1 REV C	
	ANGLES ±-		
	FINISH -		
MATERIAL NYLON, UL 94V-2,NATURAL			